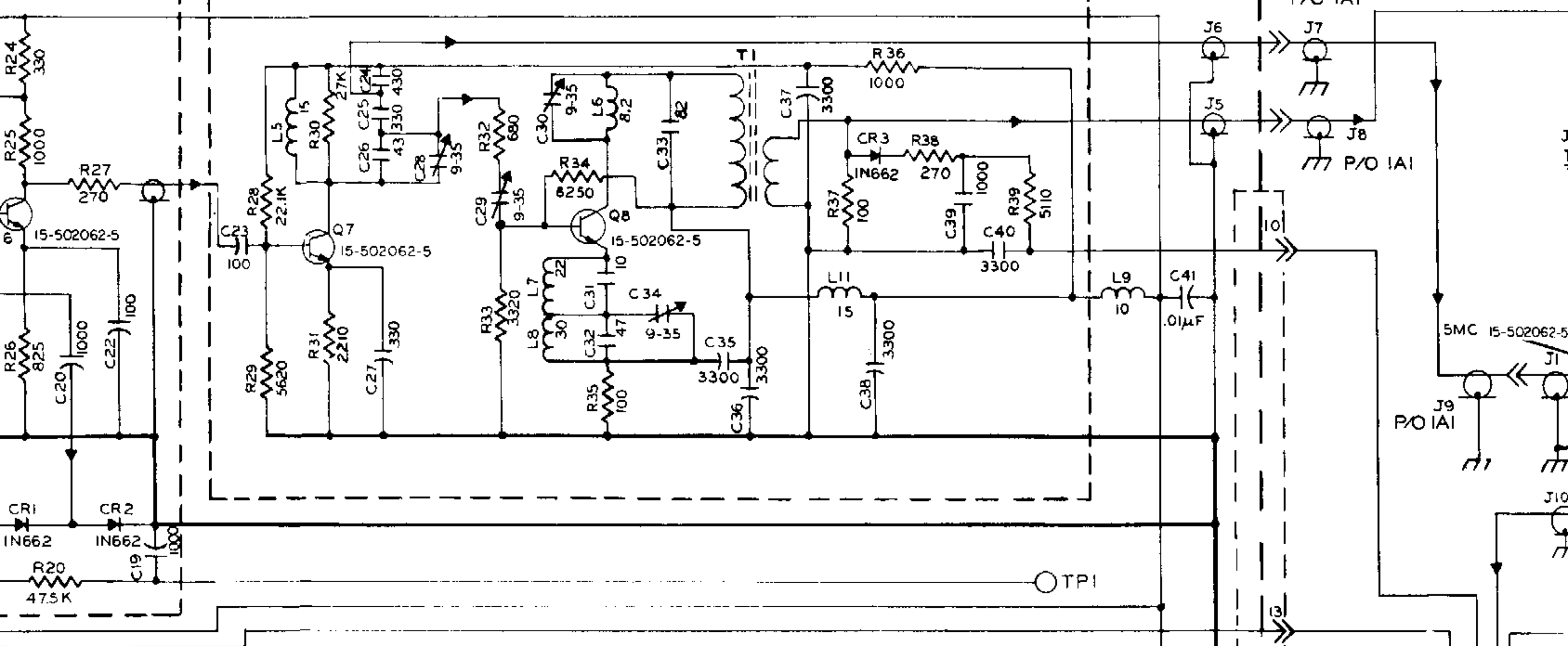
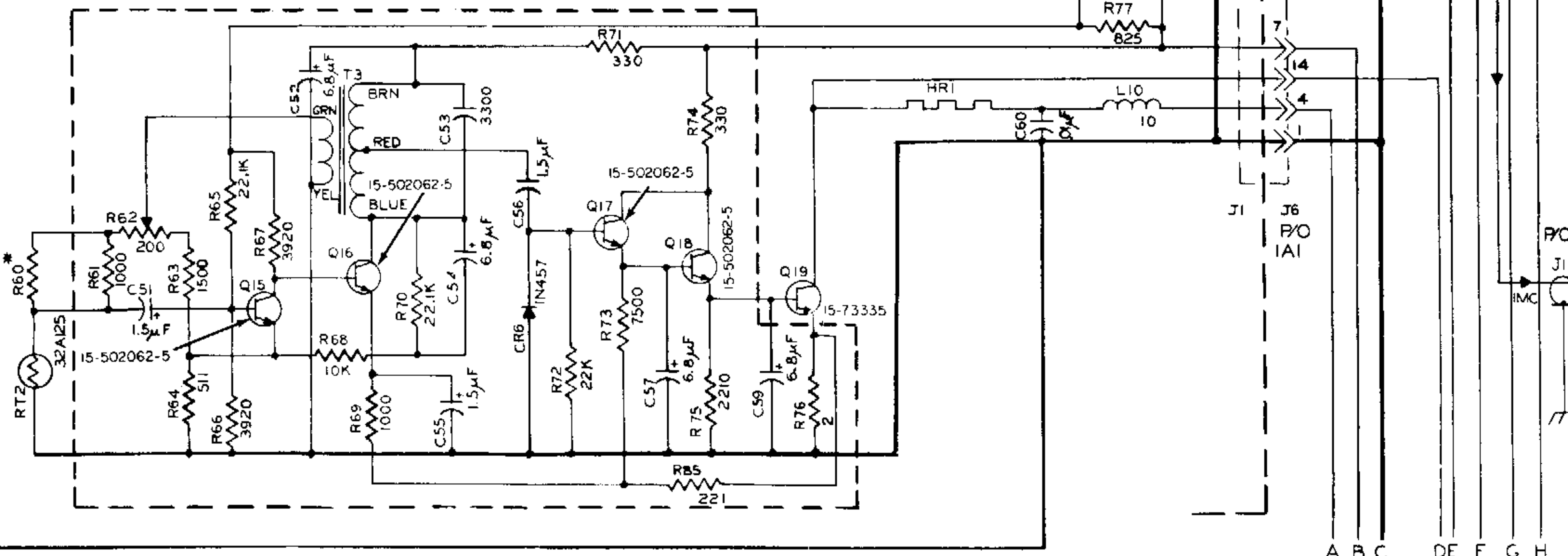


7 8 9 10 11 12 13 14 15

IAIAIA1
 † 5 MC OUTPUT AMPLIFIER

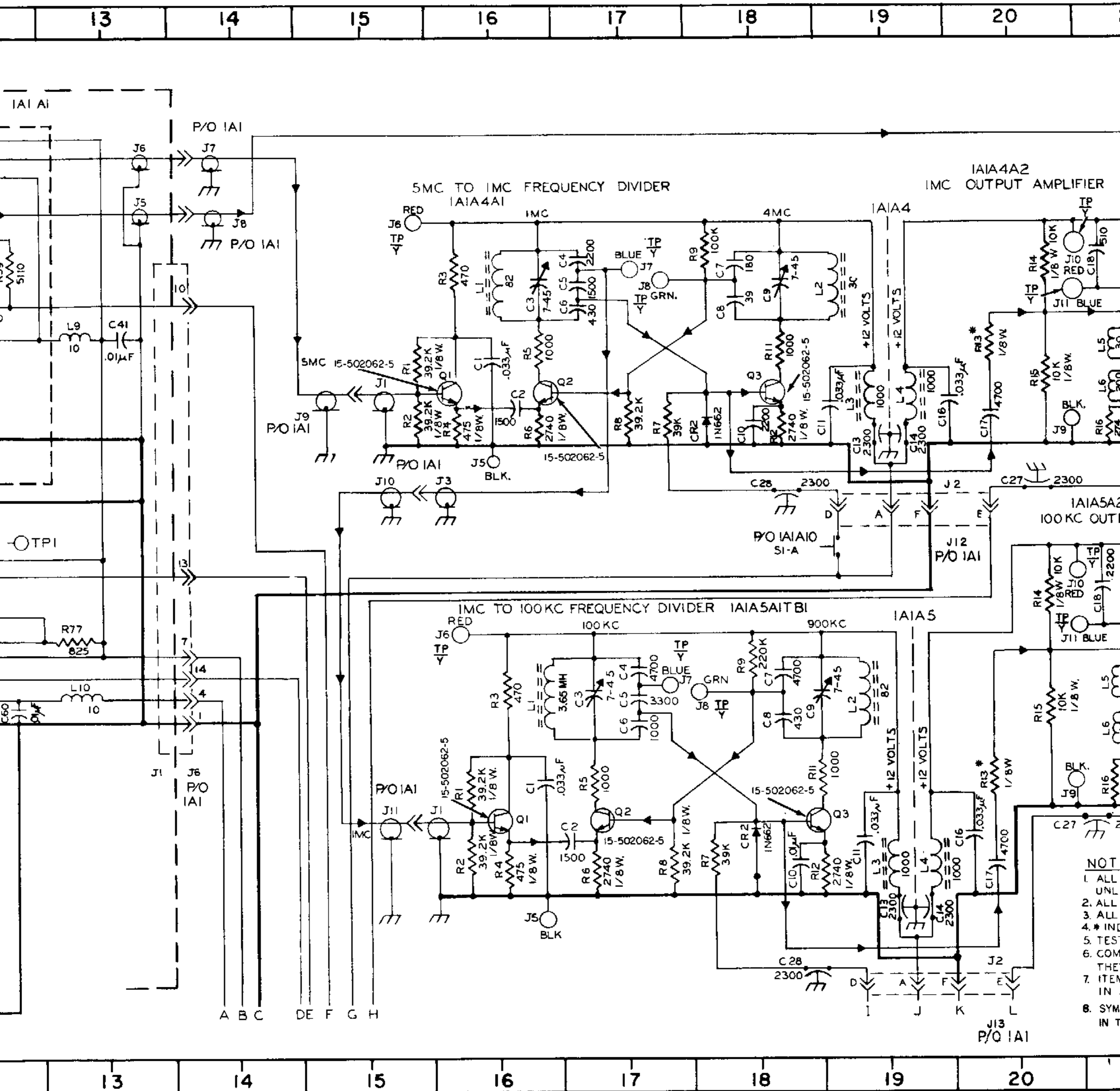


† OUTER OVEN TEMPERATURE CONTROLLER IAIAIA2



7 8 9 10 11 12 13 14 15

A B C DE F G H



- NOT
1. ALL UNL
 2. ALL
 3. ALL
 4. * IND
 5. TEST
 6. COM
 7. ITEM
 8. SYM
- IN T

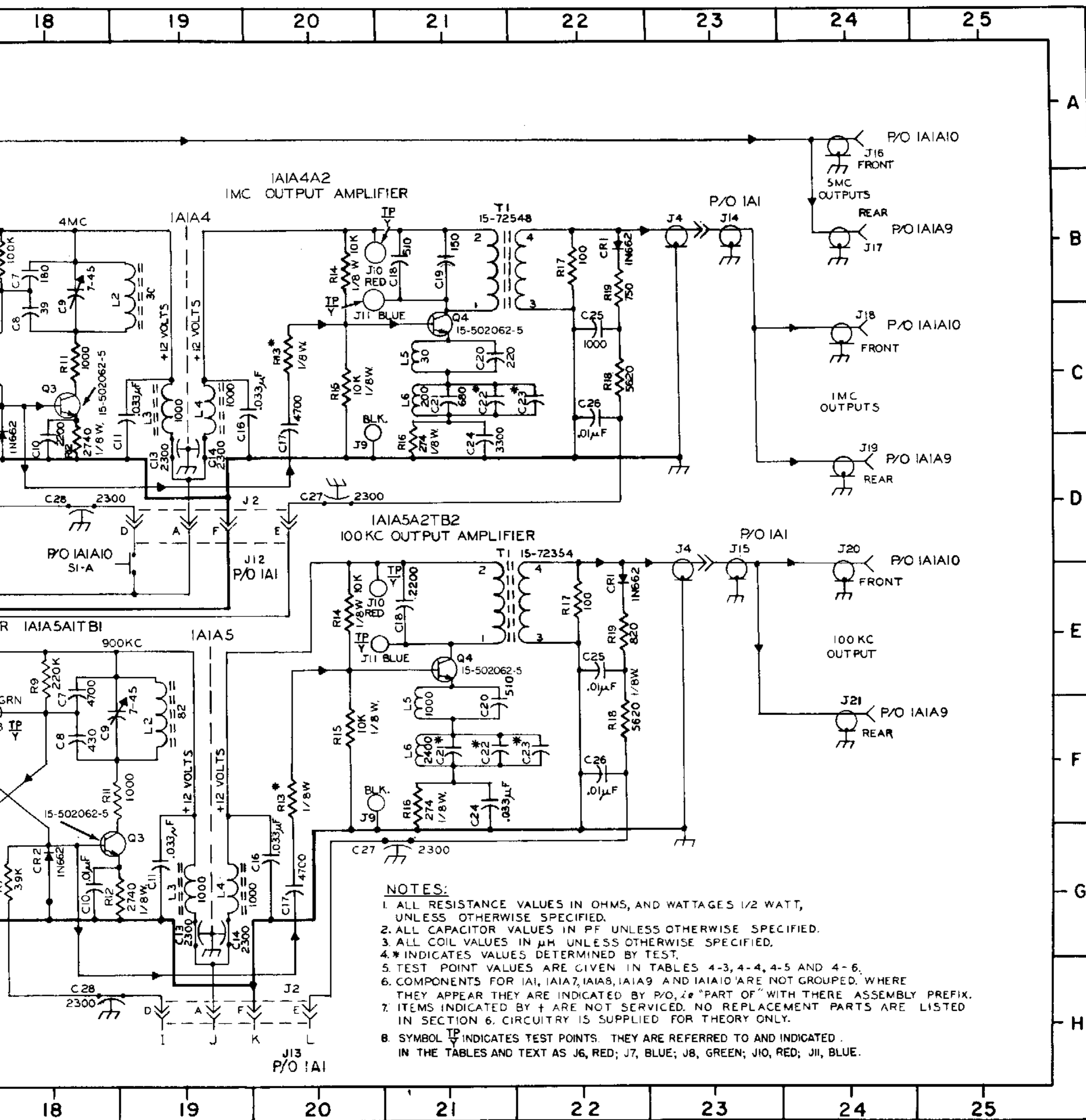
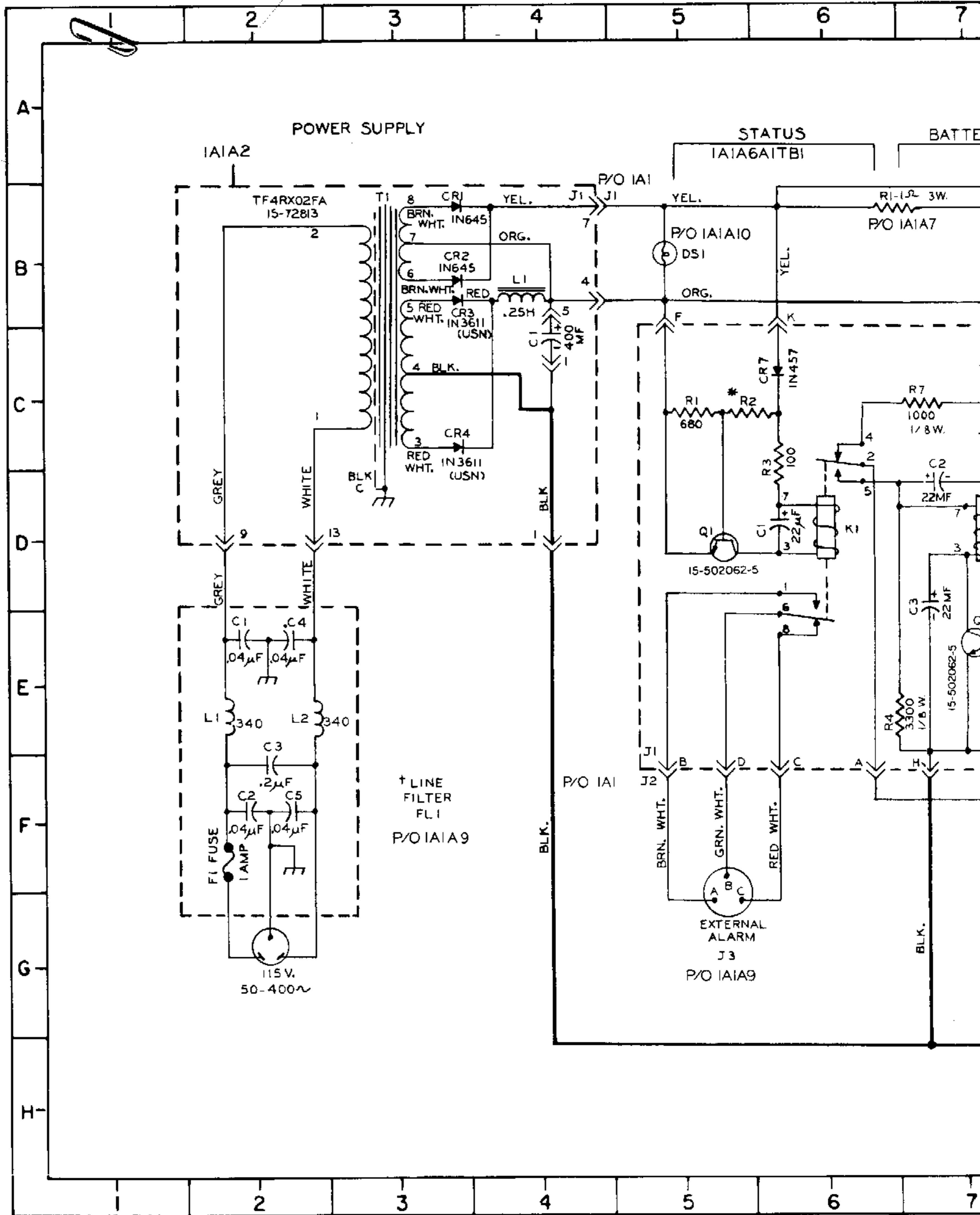


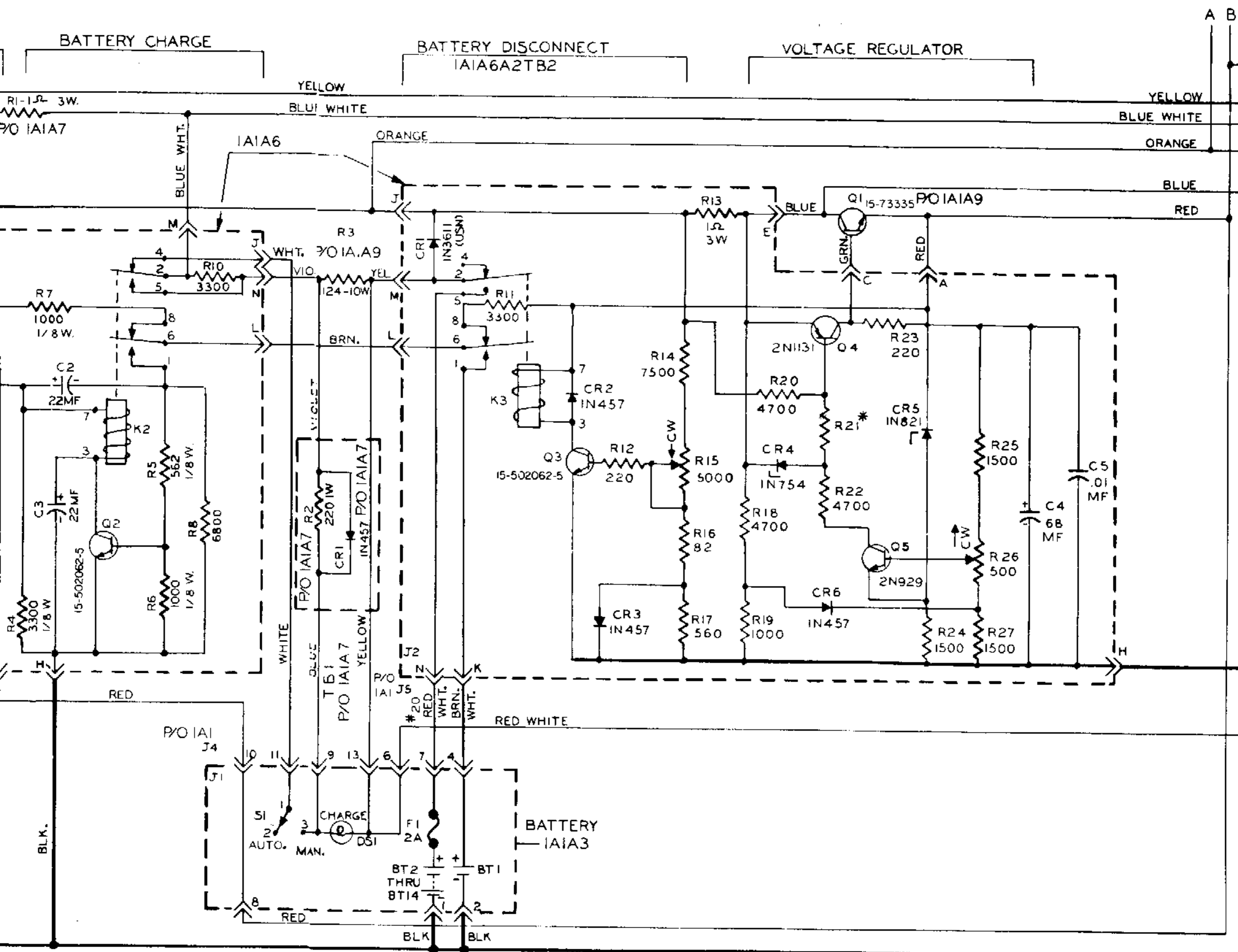
Figure 4-2. Frequency Standard, AN/URQ-10, Schematic Diagram (1 of 2)

LOCATION

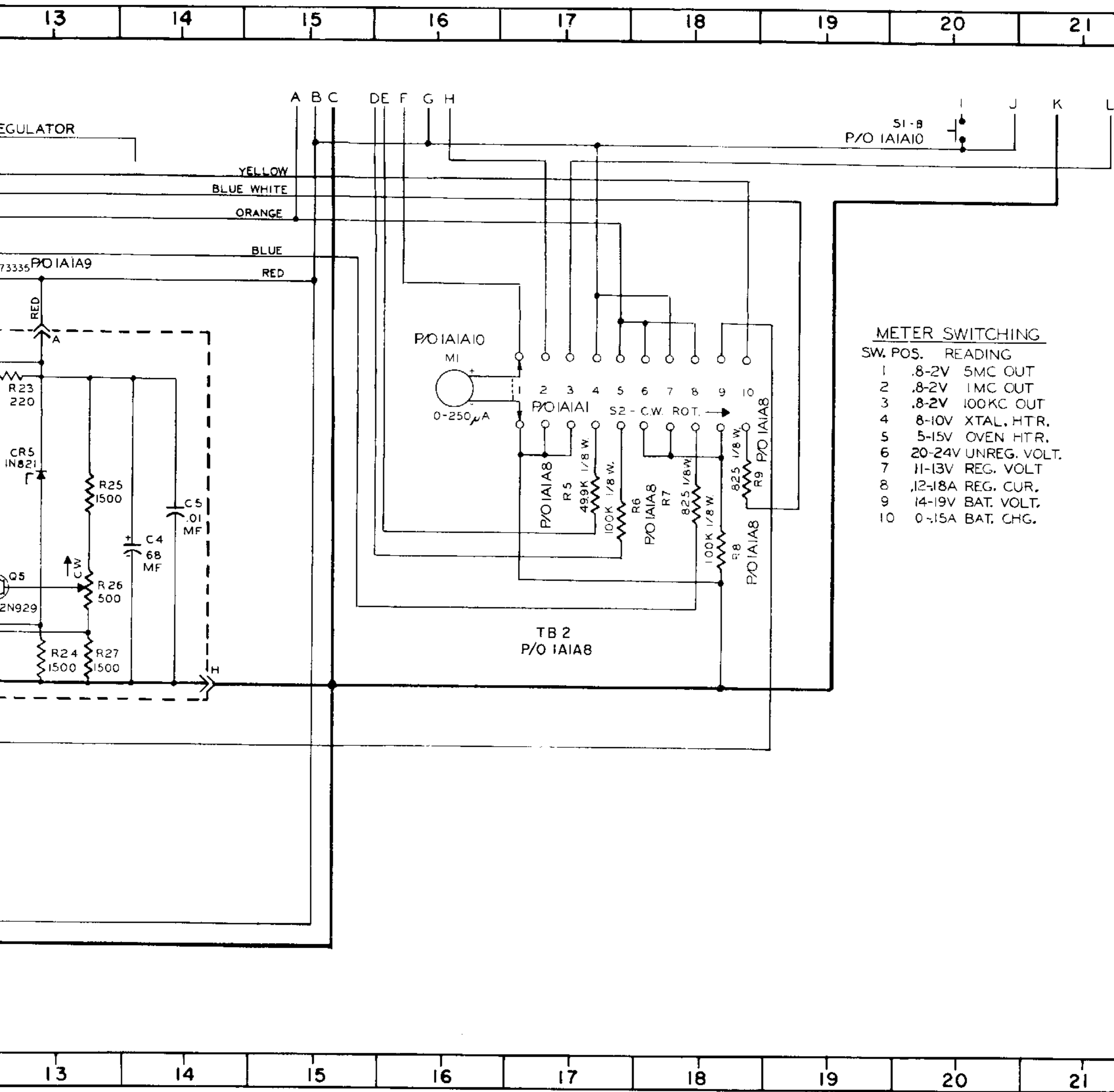
- 11E
- 12D, E
- 12E
- 12D
- 12D
- 12D, E
- 12, 13C
- 13E
- 13D
- 13E
- 13E
- 9E
- 6, 7B
- 9D, E
- 8, 9, 10D, E
- 17D
- 17D
- 18D
- 18D, E
- 18D
- 17E
- 2E
- 2F
- 2F
- 2E
- 2E
- 2F
- 1, 2, 3D, E, F, G
- 2F
- 5F, G
- 2E
- 2E
- 12, 13B
- 9C
- 5B
- 16C
- 19, 20A
- 5B



7 8 9 10 11 12 13 14 15



7 8 9 10 11 12 13 14 15



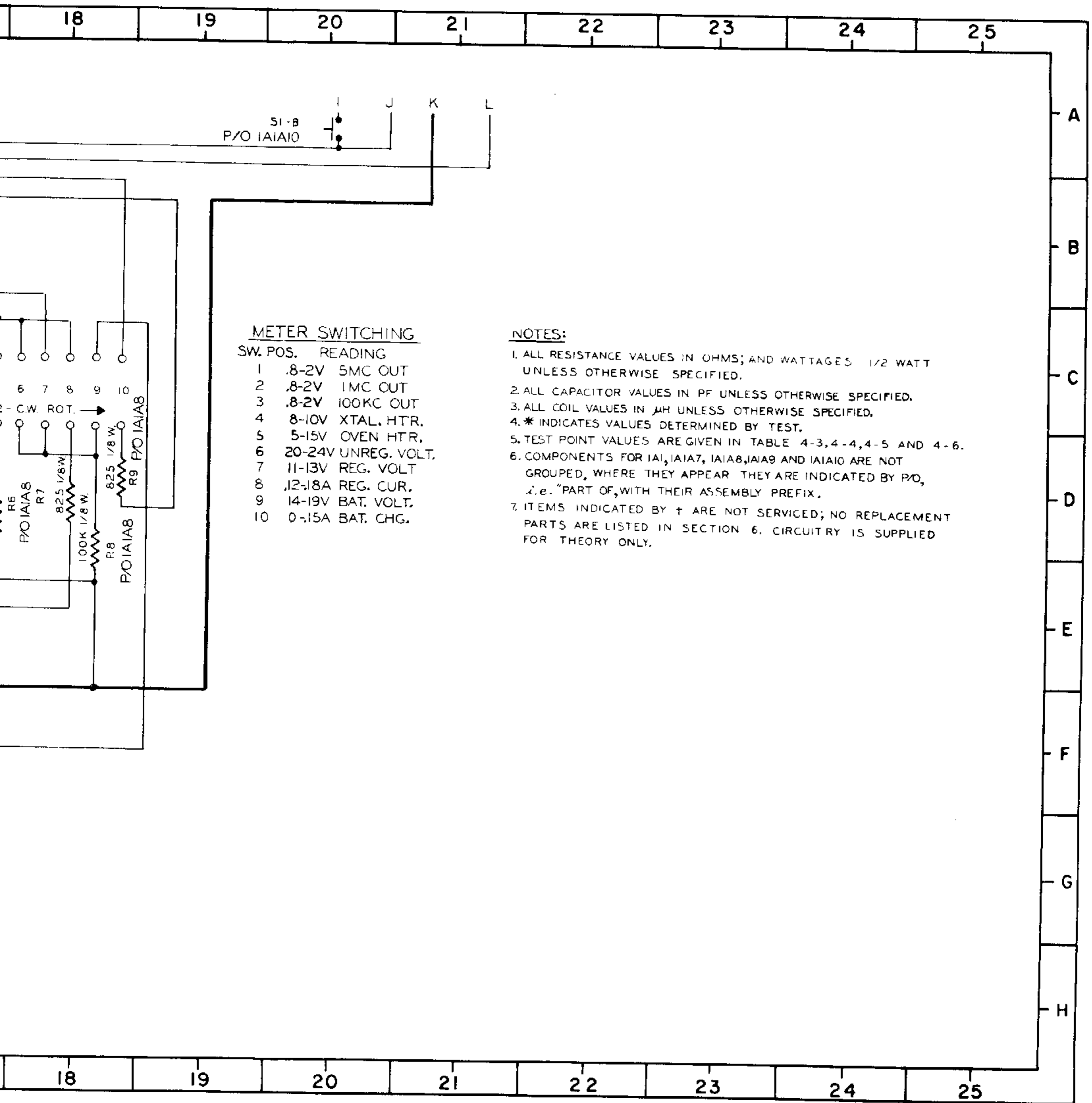


Figure 4-2. Frequency Standard, AN/URQ-10, Schematic Diagram (2 of 2)